

TECHNICAL OFFER

DATE: 19.07.2022

OFFER NO TN170821-2



TRAILER PRICE QUOTATION

Attention to :	Offer No : TN170821-2
Company Name :	Date : 19.07.2022
Company Address :	Sent by : Mr. Santiago
<u>E-mail:</u>	Number of pages : 7
Phone :	Phone : +351 933 266 003

TECHNICAL CONDITIONS:

1. 3 Axle Lowbed Semi Trailer Technical Details

TECHNICAL OFFER



TECHNICAL OFFER

Dimensions:

Length	Max: 13.100 mm
Platform Length	Max 9.500 mm
Goosneck	Max 4.100 mm
Width	Max 2.540 mm
Width Extention	500 mm (250 mm +250 mm)
Platform Hight	Max 970 mm
Ramp Width	Max 1000 mm (Standard: 800 mm)

DATE: 19.07.2022



Chassis :

- Main Beams : 120 X 14 mm , St 52 , Complete without any welding
- Hub Plate : 6 mm Complete through chassis lenght , ST 52 A1
- Welding : Beams are placed into automatic welding machines , Submerged Arc
- Octopus System : Two Chassis are connected with octopus sytem
- Silencer : Rubber magnets are placed at regular distance on chassis main beam , between chassis and body to prevent wearing and noise
- Crossing Members : 2 Main chassis are welded to through crossing members , 8 mm St 52
- King Pin Support : King Pin surrounded by 12 mm U type crossing members

TECHNICAL OFFER

TECHNICAL OFFER

DATE: 19.07.2022

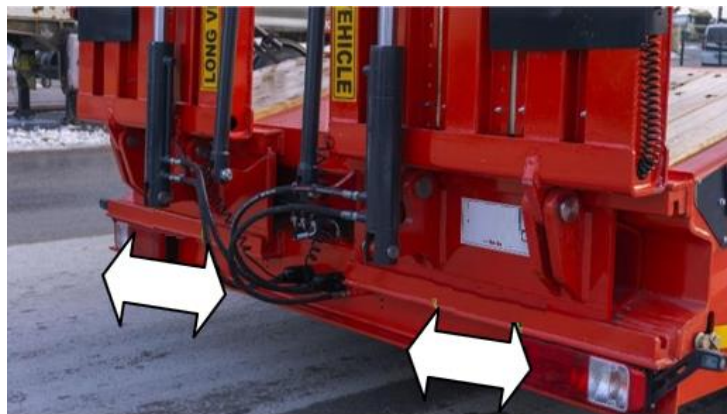
OFFER NO TN170821-2

TECHNICAL OFFER



Loading Ramps:

Ramps are hydraulically operated with 24 V Powerpack that connect to tractor unit battery.
 Ramp width can be 1000 mm according to demand
 Ramp can be move right and left according to last platform width
 The ramp is covered with wood platform



Axles :

Axle configuration consist of 3 x 12 Ton BPW type Turkish Brand (Pirlanta) axle system, Air suspension type ,
 Air chambers are 813 size , high quality , with Parabolic Z leaf spring ,
 Lifting operation to be thru a contol button placed at the left side of trailer
 Main beams of axles to be edges 14 mm , and corners are 16 mm Timken Bearing for hubs

- 1 **1. Axle Fixed**
- 2 **2. And 3. Axle Self Steering**

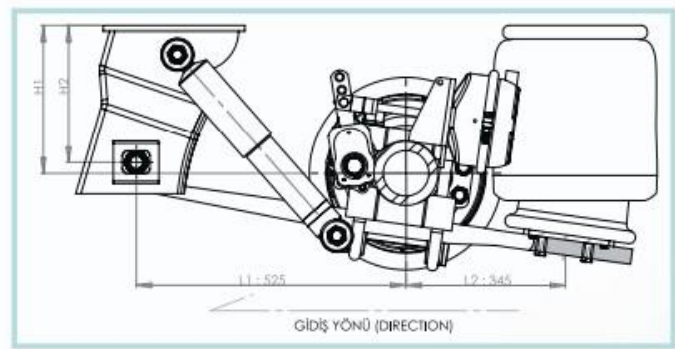
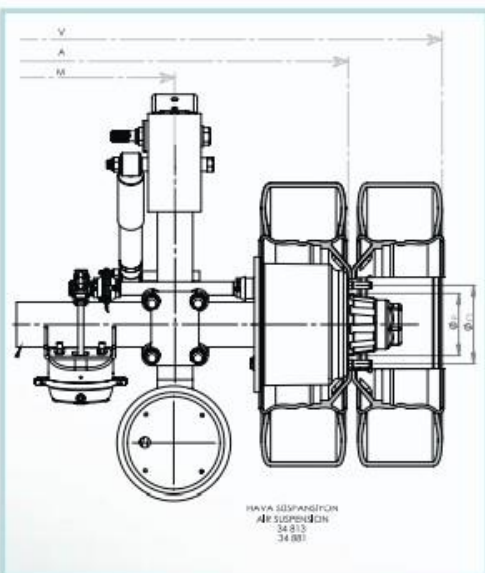
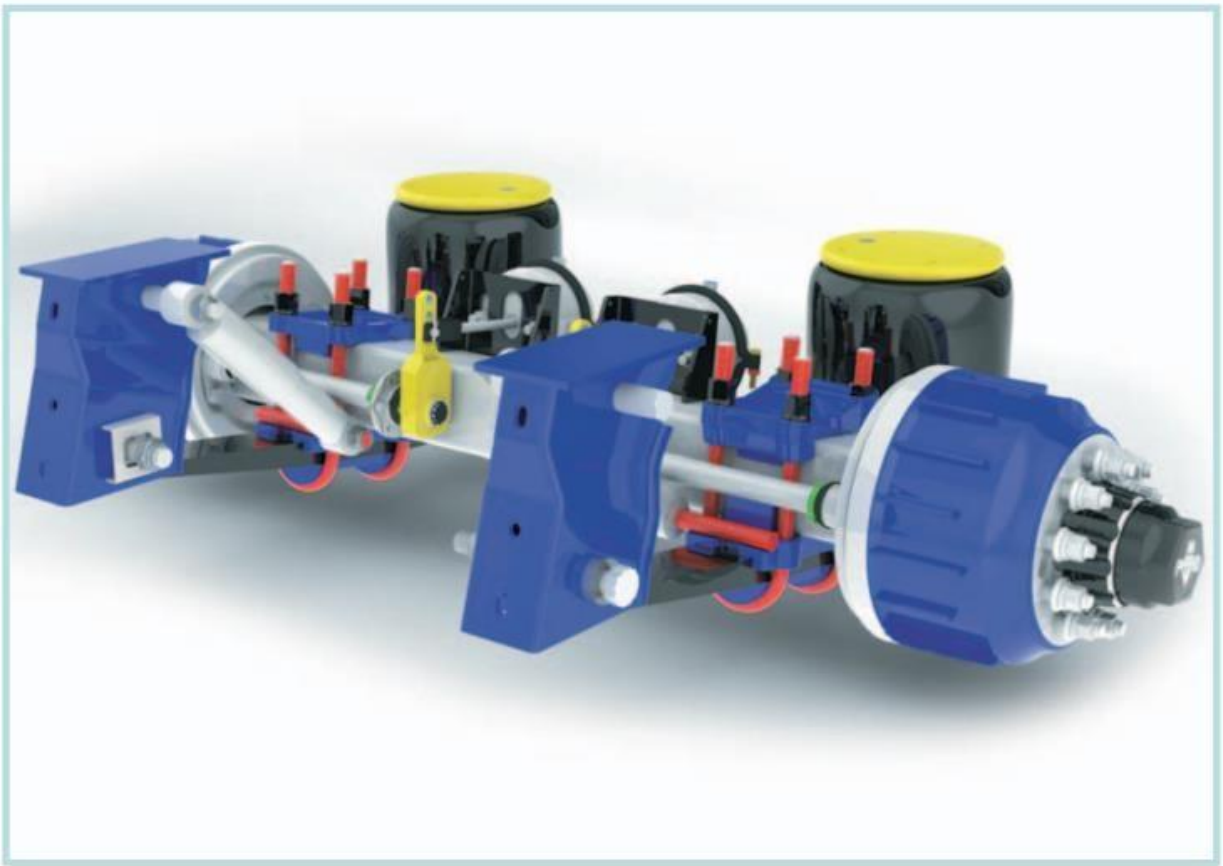


TECHNICAL OFFER

DATE: 19.07.2022

OFFER NO TN170821-2

TECHNICAL OFFER



KULAK YÜKSEKLİĞİ (H2)	SÜRÜŞ YÜKSEKLİĞİ (H1) PD HS J17.5	SÜRÜŞ YÜKSEKLİĞİ (H3) PD HS J19.5
240	290	280
270	320	310

DİNGİL ADI AXLE NAME	KODU CODE	İZ MESAFESİ (A)	MAKAS MERKEZİ (M)	KÖRÜK MESAFESİ (C)	ARA KOVAN (E)	KAMPANA DRUM (F)	BÜÇÜN ÇAPI (P)	JANT ÇAPI (P)	BALATA BRAKE	RULMAN BEARING	AĞIRLIK WEIGHT	DİŞ GENİŞLİK (V)
HAVA SÜSPANSON KATÇIFTI LİSTİK 17.5 JANT JUMBO DİNGİL AIR SUSPENSION 17.5 RIM AXLE	PD HS J17.5	1840	950	335	Ø127*Ø90	PD-2012	Ø225	Ø180	Ø330-200	33213-218248	492kg	2380



TECHNICAL OFFER

Brakes:

Knorr or Wabco Brand EBS system to be fitted on trailers

Slack adjuster to be automatic

Brake Chambers sizes to be 24 X 30 and 30 X 30 ,
Drum Chambers

Air tanks to be 80 + 80 lt capacity

Distribution of air to be by plastic hoses 8 – 12 size ,

All fittings to be steel (Brass) one to prevent any leakage in brake system , (Plastic fitting will cause air leakage in the system)

Electrical system :

Sa-Ba or Trailigt Brand

2x7 pin sockets - 24V, lights according to SAE standards

Rear stop lamps, side marker lamps, brake safety warning lamps and signal light fitted 2 tail & stop combined lamps (red)

2 turn signal combined lamps (orange) 1

license plate lamp (white)

Electrical system is suitable for European Norms and with flameproof cables

Tires:

12 pcs 245/70 R17,5 tires will be used

Brand options are; Pirelli, Goodyear, Sava, Kelly 12

pcs of 17,5" steel Wheel rims will be used Brand

Jantas and Jantsa



King Pin :

Certificated Turkish brand forged steel king-pin 2

or 3,5" according to DIN standards

Kin pin Height will be suitable according to your tractor head

DATE: 19.07.2022

OFFER NO TN170821-2

TECHNICAL OFFER

TECHNICAL OFFER

Landing Gears :

Certificated Turkish brands Jost Type two speed
 Telescopic, mechanical conveyor gear
 Dynamic Lift Capacity : 25 Tones
 Static Lift Capacity : 50 Tones
 Low Gear Position : 0.98 mm / Rev
 High Gear : 10,0 mm / Rev

Painting :

After the construction process , all trailers are sand blasted
 Before the painting, all parts are cleaned carefully
 Epoxy gray is used for first protecting primer coating as 50 micron 2
 Times of high quality paints applied on complete trailer
 The color of trailer is selected **by customer requested according to RAL codes**
 Painting thickness to be 100 micron , and all painting process to be submitted with certifications



Accessories :

Water Tank
 Spare tyre carrier (spare tire carrier will be place up to bottom discharging point)
 Wheel leaning mounting
 Fire extinguisher
 Preserving cabinet.
 Tool Box
 Access Ladder
 All Related other accessories

COMMERCIAL: COMMERCIAL:

Price : EUR / FOB

Quantity(unit) : 1 Pc Lowbed **3 Self Steering Axle** Semi Trailer
 Payment Term : %30 down payment with the order , %70 Balance before shipment
 Shipment terms : EXW KONYA all custom process will be arranged in Turkey by us
 Delivery Time : 1 Unit Lowbed will be ready in 45-50 days
 Warranty : The Trailers will be guaranteed for 12 months from the installation
 Document : Commercial invoice, packing list, bill of lading, Certificate of origin, for additional documents please do not forget to ask before the shipment time.
 Export documents : Expenses regarding the export documents is included in the price

DATE: 19.07.2022

OFFER NO TN170821-2

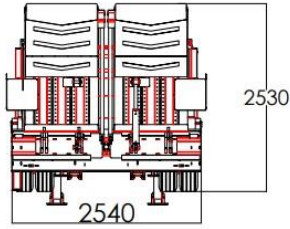
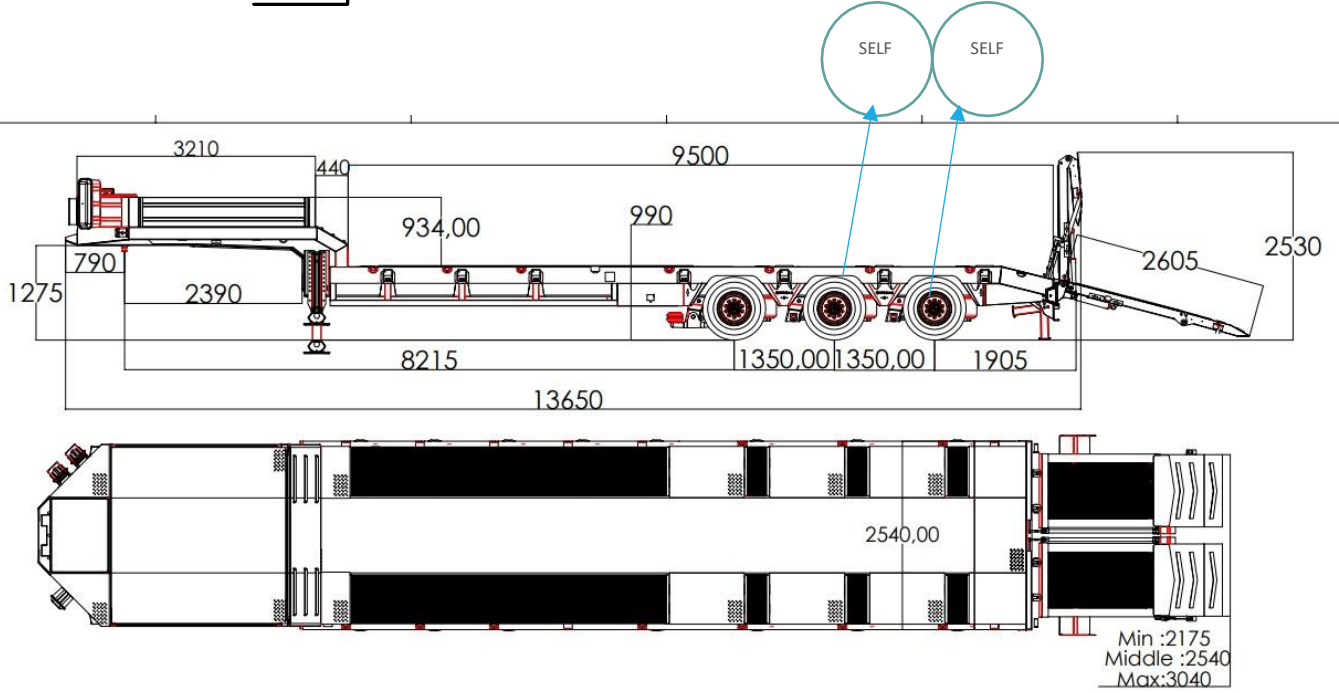
TECHNICAL OFFER



TECHNICAL OFFER

DATE: 19.07.2022

OFFER NO TN170821-2



Tel: +90 332 342 2331	ADI-SOYADI	TARİH		
ÇİZEN	Lütfi GÜZEL	18.03.2021		
KONTROL	Lütfi GÜZEL	18.03.2021	ÖLÇEK 1:1	
ONAYLAYAN	Erdem ÇAY	18.03.2021		
PARÇANIN ADI		AĞIRLIK	MALZEME	
3 DİNGİL LOWBED 2.55 MT - 9.5 MT PLATFORM-245-70		LASTİK		

TECHNICAL OFFER